



## Spectrum LED Pool Lighting Systems

### **Features**

- Latest Pool Light design incorporates LED Technology to allow you to choose your favourite colour or Feature Mode at the flick of a switch.
- Colours Available: White, Blue, Pink/Purple, Red, Orange/Yellow, Green, Aqua.
- LED life: 50,000 hours average.
- Energy efficient. Maintenance free.
- Ideal for pools, spas, water features, ponds etc.
- Operational without the use of extra wiring and control boxes.
- Can operate either underwater or above water level.
- Designed to fit inside the standard Aqua-Star Housing, suitable for concrete, fibreglass and vinyl pools.
- Design service available, simply fax or email through your drawings.
- Retro Fit Kits available for existing Aqua-Star Lights.
- Absolutely unique design. There is no other underwater light that has all these features.

### **Technical Specifications**

<b>Voltage</b>	12 volt
<b>Globe Type</b>	Array of 48 x LED's (Light Emitting Diodes) Draws a maximum of 350mA
<b>Cable Length &amp; Type</b>	20m length, 2 core, 1.5mm <sup>2</sup>
<b>Applications</b>	Concrete, Vinyl, Fibreglass. Underwater or above water level.
<b>Transformer</b>	12v, 100va. Weatherproof transformer, rated IP65.
<b>Optional Extra</b>	Stainless Steel Trim Ring Kits
<b>Colour Sequencing</b>	<u>Scroll</u> : aqua, blue, pink/purple, red, orange/yellow, green <u>Flash</u> : white, blue, pink/purple, red, orange/yellow, green, aqua. <u>Hold</u> : white, blue, pink/purple, red, orange/yellow, green, aqua.

## **Operation**

**Synchronised Scroll Mode:** all lights slowly scroll through the spectrum of colours.

**Utility Scroll Mode:** all lights slowly scroll through the spectrum of colours. This mode is to allow for possible future additional features.

**Flashing Mode:** flashes all lights through the spectrum of colours.

**Colour Hold Mode:** selects desired colour for all lights. Switching off/on throughout this mode changes the hold colour.

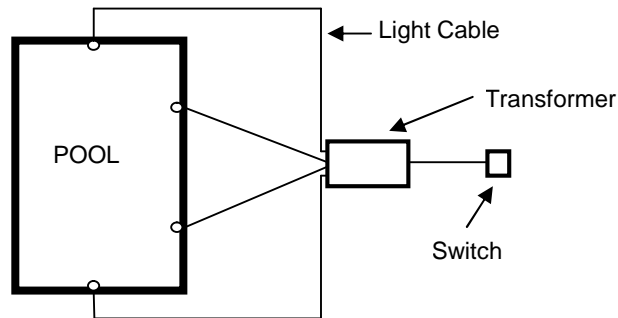
- To progress through the different feature modes, simply turn the power switch off/on with a delay of approx 2 seconds.
- When turned on after the lights have been off for approx 10 seconds, the lights will start up in Synchronised Scroll Mode.
- When Un-Synchronised Scroll Mode or Flashing Mode are selected the lights will temporarily flash to indicate a change of mode.
- When cycling from Colour Hold through to Synchronised Scroll please note that the last hold colour is aqua and the first scroll colour is also aqua.

## **Installation Details**

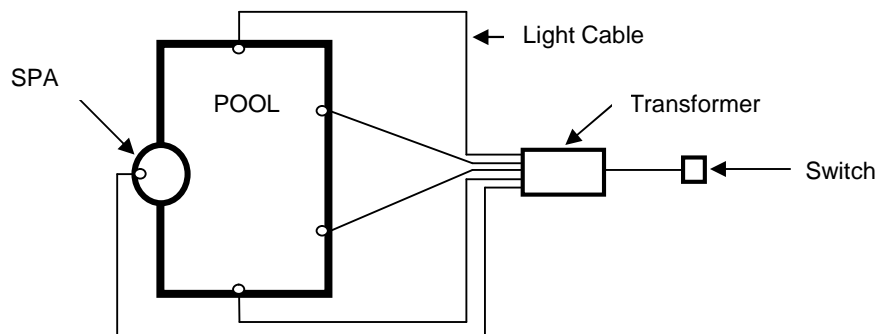
- Spectrum Aqua-Star lights are factory fitted with the LED cluster securely mounted inside the standard Aqua-Star body. Therefore the installation instructions for Spectrum are identical to the Aqua-Star installation instructions (concrete or fibreglass/vinyl).
- No extra wiring or control boxes are required. Switching through the different feature modes is controlled purely through toggling the on/off power switch.
- Although numerous Spectrum Aqua-Star lights can be operated from a single 12v (100va) transformer, Aqua-Quip supply lights in pack form up to a 4 Pack. This makes the cable connection into the low voltage transformer more manageable. Multiple units (more than 4) can be purchased for connection to one transformer, however the installer may need to use a bus bar or similar device to easily allow cable entry into the transformer. Discuss with your electrician.

## ***Installation Diagrams***

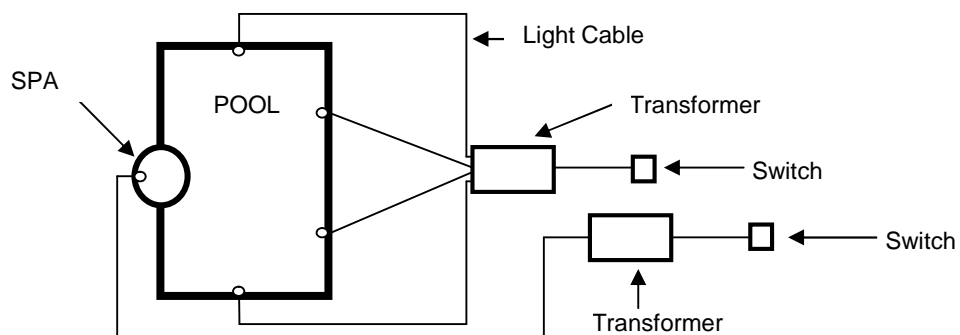
**1) Pool:** All four lights connected to one transformer, controlled by one switch. All pool lights will operate on the same Feature Mode.



**2) Pool & Spa:** Four lights in pool and one light in spa are all connected to one transformer and switch. All pool and spa lights will operate on the same feature mode. Therefore the spa cannot be a different colour than the pool. (Refer to the installation details when connecting more than 4 lights to a transformer)



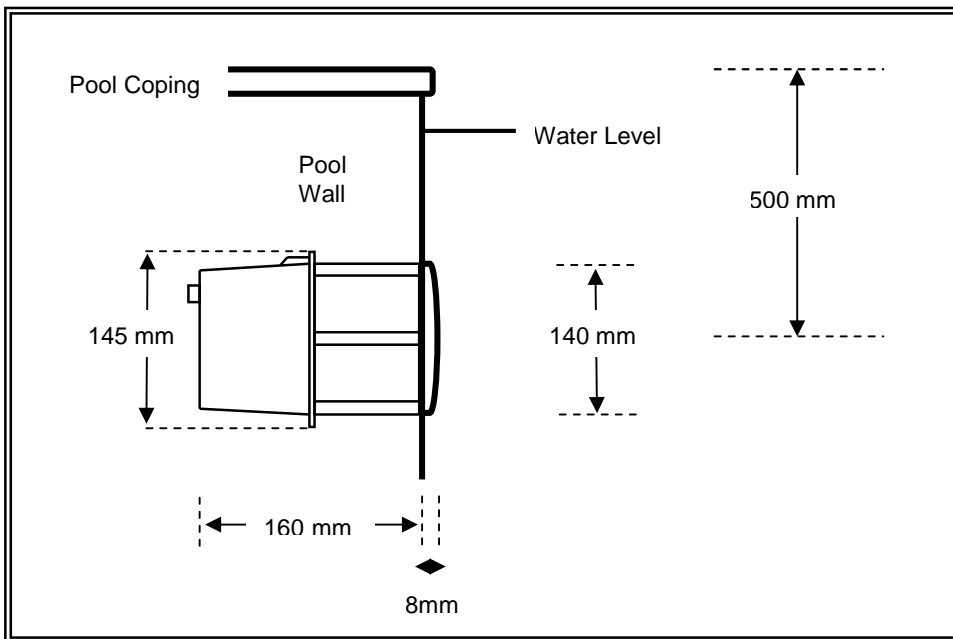
**3) Pool & Spa:** Four lights in pool and one light in spa. Spa light is connected to separate transformer and switch. This will allow the spa light to operate on a separate Feature Mode than the pool.



## **Be Creative**

You are building a special pool, so now is the time to plan for effective and spectacular illumination. Spectrum pool lights do not provide an overpowering bright light, they supply subtle mood lighting. They can be installed on walls, in seat areas facing upwards, underneath water features, beach areas or even out of the pool to highlight your pool surrounds. Remember, a lighter coloured internal pool surface will reflect light much better than a dark surface.

### Concrete Pools Aqua-Star & Spectrum Housing Installation



### Fibreglass / Vinyl Pools Aqua-Star & Spectrum Housing Installation

